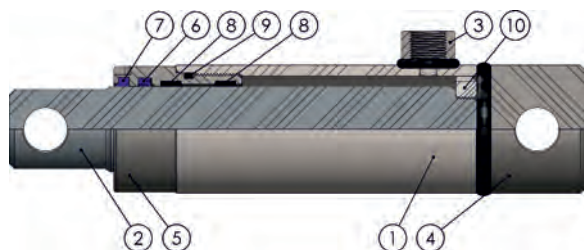
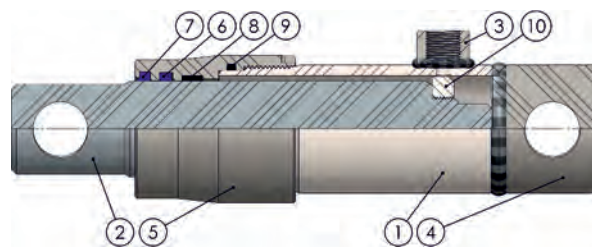


CILINDRO SIMPLE EFECTO SINGLE ACTING CYLINDER EINFACHWIRKENDE ZYLINDER

SERIE 100



Tipo A - A type - Typ A



Tipo B - B type - Typ B

| Nº pieza Part No. Part No. | Descripción Description Beschreibung | Material Material Material |
|----------------------------------|---|--|
| 1 | Tubo lapeado/Cold drawn tube/Poliertes zylinderrohr | Acero - Steel - Stahl St52.3 DIN2353 h9 |
| 2 | Barra cromada/Chromed rod/Verchromte kolbenstange | Acero - Steel - Stahl C45 Micron ±5 Rating 9/120h |
| 3 | Racor alimentación/Threaded port/Anschlussgewinde | Acero - Steel - Stahl St52.3 |
| 4 | Fondo taladrado/End plug with hole/Zylinderboden | Acero - Steel - Stahl St52.3 |
| 5 | Cabeza guía S.E./S.A. bush/Kolbenstangenführung | Acero - Steel - Stahl St52.3 |
| 6 | Collarín CSL/CSL rod seal/Stangendichtungen typ CSL | Poliuretano - Polyurethane - Polyrethan 93 shores |
| 7 | Rascador/Wiper/Abstreifer | Poliuretano - Polyurethane - Polyrethan 93 shores |
| 8 | Guía/guide/Führungsring | Resina acetal - Acetal resine - Polyacetal |
| 9 | Junta tórica/O-ring/O-ringe | NBR |
| 10 | Tuerca ARS/ARS lock nut/ Nut ARS | Grado - Grade - Material 8.8 |

Hydraulic seals by
Aston seals



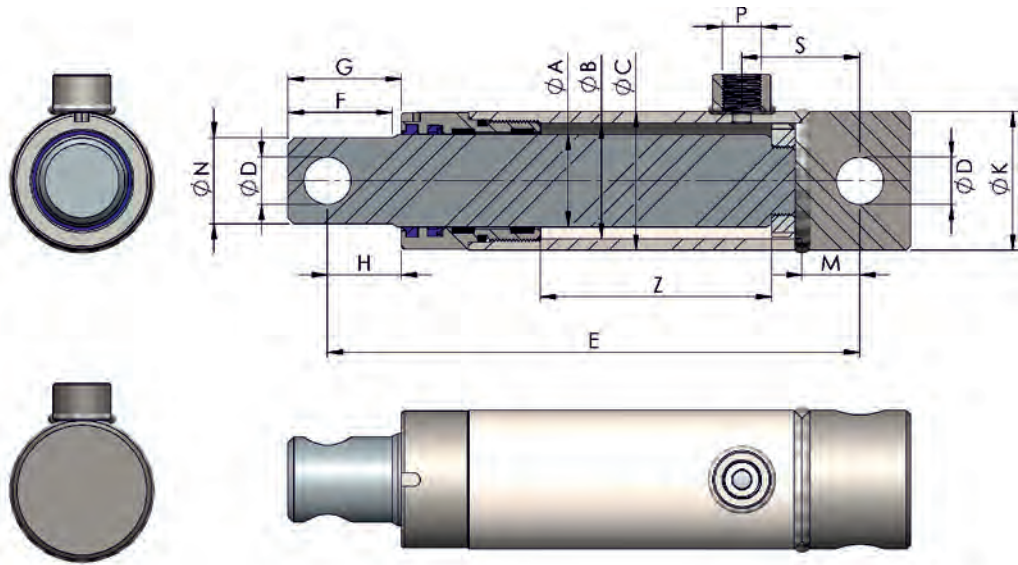
Velocidad máxima - Max. speed - Höchstgeschwindigkeit : 0,5 m/s.
Temperatura C° - Temperature C° - Temperaturbereich C° : -25°C - +80°C.
Presión máxima - Max. pressure - Max. Druck : 250 bars.

CILINDRO SIMPLE EFECTO
SINGLE ACTING CYLINDER
EINFACHWIRKENDE ZYLINDER

BASTIMEC[®]
hydraulics

SERIE 100

Tipo A - A type - Typ A

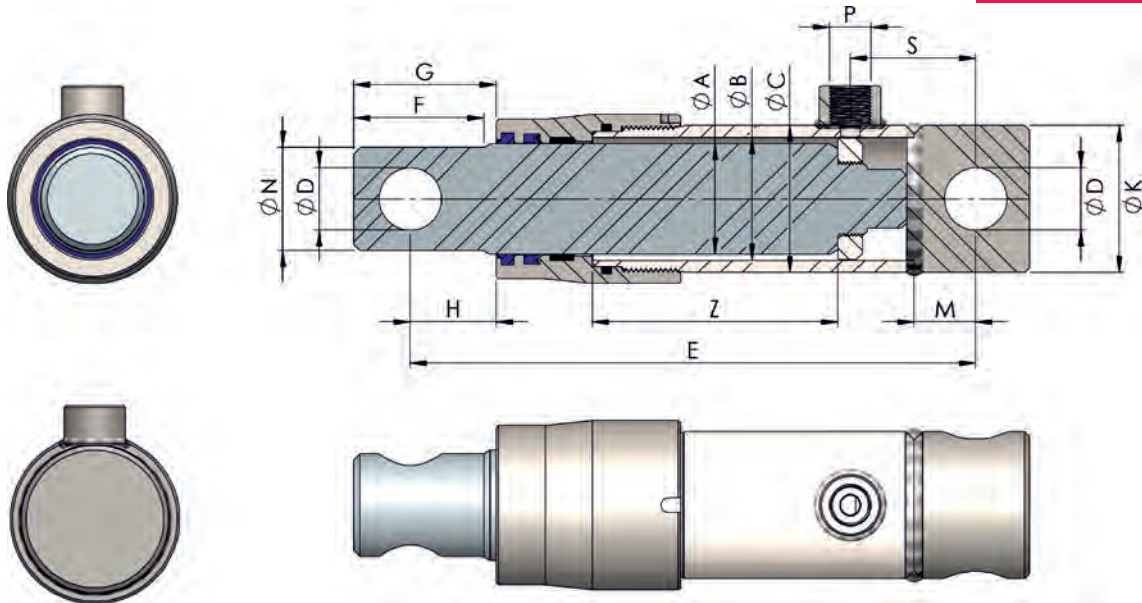


| Código Code Bestell-Nr. | ØA | ØB | ØC | Z | E | ØD | P (BSP) | S | ØN | G | F | H | K | M | Kit juntas Seals kit Dichtsätze | Vol. (lit) | Kgs. |
|-------------------------------|----|----|----|-----|-----|-------|------------|----|----|----|----|----|----|----|---------------------------------------|---------------|-------|
| 100_010 | 25 | 32 | 40 | 100 | 190 | 14.25 | G1/4 | 33 | 22 | 32 | 27 | 18 | 40 | 17 | KJSE032040025 | 0,08 | 1,55 |
| 100_020 | | | | 200 | 290 | | | | | | | | | | | 0,1€ | 2,30 |
| 100_030 | | | | 300 | 390 | | | | | | | | | | | 0,24 | 3,05 |
| 100_040 | | | | 400 | 490 | | | | | | | | | | | 0,32 | 3,80 |
| 100_050 | | | | 500 | 590 | | | | | | | | | | | 0,40 | 4,55 |
| 100_060 | | | | 600 | 690 | | | | | | | | | | | 0,48 | 5,30 |
| 100_070 | | | | 700 | 790 | | | | | | | | | | | 0,56 | 6,05 |
| 101_010 | 30 | 40 | 50 | 100 | 200 | 16.25 | G3/8 | 48 | 27 | 36 | 30 | 21 | 50 | 22 | KJSE040050030 | 0,13 | 2,60 |
| 101_020 | | | | 200 | 300 | | | | | | | | | | | 0,25 | 3,70 |
| 101_030 | | | | 300 | 400 | | | | | | | | | | | 0,37 | 4,80 |
| 101_040 | | | | 400 | 500 | | | | | | | | | | | 0,49 | 5,90 |
| 101_050 | | | | 500 | 600 | | | | | | | | | | | 0,61 | 7,00 |
| 101_060 | | | | 600 | 700 | | | | | | | | | | | 0,73 | 8,10 |
| 101_070 | | | | 700 | 800 | | | | | | | | | | | 0,85 | 9,20 |
| 102_010 | 35 | 45 | 55 | 100 | 230 | 20.40 | G3/8 | 51 | 32 | 41 | 34 | 24 | 55 | 25 | KJSE045055035 | 0,16 | 3,60 |
| 102_020 | | | | 200 | 330 | | | | | | | | | | | 0,32 | 4,95 |
| 102_030 | | | | 300 | 430 | | | | | | | | | | | 0,48 | 6,30 |
| 102_040 | | | | 400 | 530 | | | | | | | | | | | 0,64 | 7,65 |
| 102_050 | | | | 500 | 630 | | | | | | | | | | | 0,80 | 9,00 |
| 102_060 | | | | 600 | 730 | | | | | | | | | | | 0,96 | 10,35 |
| 102_070 | | | | 700 | 830 | | | | | | | | | | | 1,12 | 11,70 |
| 103_010 | 40 | 50 | 60 | 100 | 230 | 20.40 | G3/8 | 51 | 37 | 49 | 45 | 32 | 60 | 25 | KJSE050060040 | 0,20 | 4,35 |
| 103_020 | | | | 200 | 330 | | | | | | | | | | | 0,39 | 6,00 |
| 103_030 | | | | 300 | 430 | | | | | | | | | | | 0,59 | 7,65 |
| 103_040 | | | | 400 | 530 | | | | | | | | | | | 0,79 | 9,30 |
| 103_050 | | | | 500 | 630 | | | | | | | | | | | 0,99 | 10,95 |
| 103_060 | | | | 600 | 730 | | | | | | | | | | | 1,19 | 12,60 |
| 103_070 | | | | 700 | 830 | | | | | | | | | | | 1,39 | 14,25 |

Unidades en milímetros.
Units in millimeters.
Einheiten in Millimetern.

Tipo B - B type - Typ B

SERIE 100



| Código Code Bestell-Nr. | ØA | ØB | ØC | Z | E | ØD | P (BSP) | S | ØN | G | F | H | K | M | Kit juntas Seals kit Dichtsätze | Vol. (lit) | Kgs. |
|-------------------------------|----|----|----|-----|-----|-------|------------|----|----|----|----|----|----|----|---------------------------------------|---------------|-------|
| 104_010 | 45 | 50 | 60 | 100 | 230 | 25.50 | G3/8 | 51 | 42 | 58 | 53 | 35 | 60 | 25 | KJSE050060045 | 0,20 | 4,85 |
| 104_020 | | | | 200 | 330 | | | | | | | | | | | 0,39 | 6,75 |
| 104_030 | | | | 300 | 430 | | | | | | | | | | | 0,59 | 8,65 |
| 104_040 | | | | 400 | 530 | | | | | | | | | | | 0,79 | 10,55 |
| 104_050 | | | | 500 | 630 | | | | | | | | | | | 0,98 | 12,45 |
| 104_060 | | | | 600 | 730 | | | | | | | | | | | 1,18 | 14,35 |
| 104_070 | | | | 700 | 830 | | | | | | | | | | | 1,38 | 16,25 |
| 105_010 | 50 | 55 | 65 | 100 | 260 | 25.50 | G3/8 | 51 | 47 | 58 | 53 | 35 | 65 | 25 | KJSE055065050 | 0,24 | 6,35 |
| 105_020 | | | | 200 | 360 | | | | | | | | | | | 0,48 | 8,65 |
| 105_030 | | | | 300 | 460 | | | | | | | | | | | 0,72 | 10,95 |
| 105_040 | | | | 400 | 560 | | | | | | | | | | | 0,95 | 13,25 |
| 105_050 | | | | 500 | 660 | | | | | | | | | | | 1,19 | 15,55 |
| 105_060 | | | | 600 | 760 | | | | | | | | | | | 1,43 | 17,85 |
| 105_070 | | | | 700 | 860 | | | | | | | | | | | 1,66 | 20,15 |
| 106_010 | 55 | 60 | 70 | 100 | 260 | 25.50 | G3/8 | 51 | 52 | 71 | 51 | 48 | 70 | 25 | KJSE060070055 | 0,28 | 7,30 |
| 106_020 | | | | 200 | 360 | | | | | | | | | | | 0,57 | 9,95 |
| 106_030 | | | | 300 | 460 | | | | | | | | | | | 0,85 | 12,60 |
| 106_040 | | | | 400 | 560 | | | | | | | | | | | 1,13 | 15,25 |
| 106_050 | | | | 500 | 660 | | | | | | | | | | | 1,41 | 17,90 |
| 106_060 | | | | 600 | 760 | | | | | | | | | | | 1,70 | 20,55 |
| 106_070 | | | | 700 | 860 | | | | | | | | | | | 1,98 | 23,20 |
| 107_010 | 60 | 65 | 75 | 100 | 260 | 25.50 | G3/8 | 55 | 57 | 67 | 51 | 44 | 75 | 29 | KJSE065075060 | 0,33 | 8,75 |
| 107_020 | | | | 200 | 360 | | | | | | | | | | | 0,66 | 11,80 |
| 107_030 | | | | 300 | 460 | | | | | | | | | | | 1,00 | 14,85 |
| 107_040 | | | | 400 | 560 | | | | | | | | | | | 1,33 | 17,90 |
| 107_050 | | | | 500 | 660 | | | | | | | | | | | 1,67 | 20,95 |
| 107_060 | | | | 600 | 760 | | | | | | | | | | | 1,99 | 24,00 |
| 107_070 | | | | 700 | 860 | | | | | | | | | | | 2,32 | 27,05 |

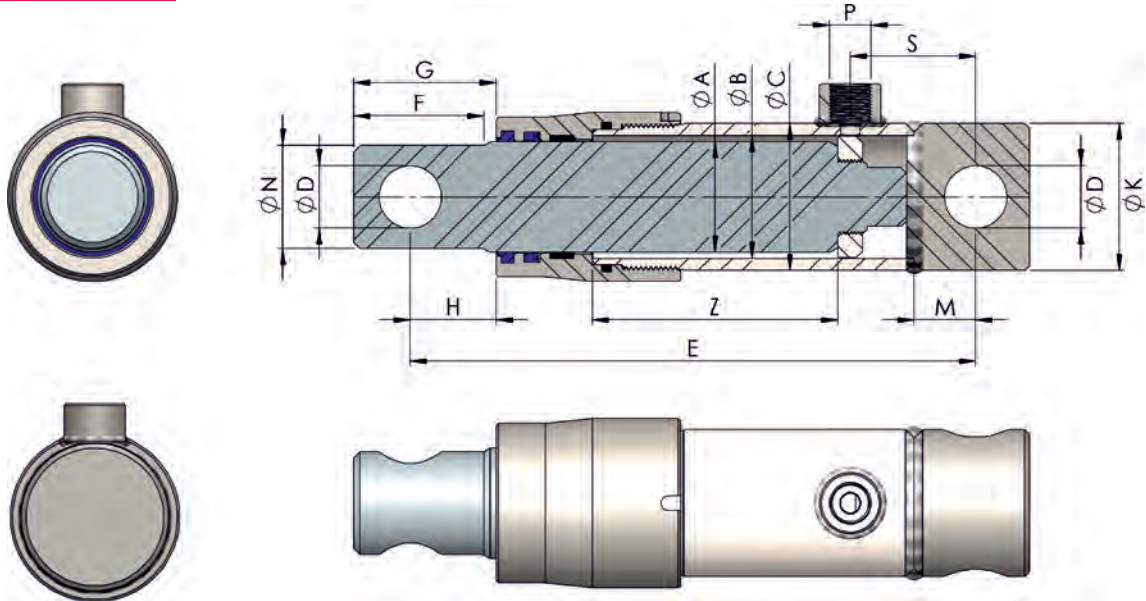
Unidades en milímetros.
Units in millimeters.
Einheiten in Millimetern.

CILINDRO SIMPLE EFECTO
SINGLE ACTING CYLINDER
EINFACHWIRKENDE ZYLINDER

BASTIMEC[®]
hydraulics

SERIE 100

Tipo B - B type - Typ B



| Código Code Bestell-Nr. | ØA | ØB | ØC | Z | E | ØD | P (BSP) | S | ØN | G | F | H | K | M | Kit juntas Seals kit Dichtsätze | Vol. (lit) | Kgs. |
|-------------------------------|----|-----|-----|-----|-----|-------|------------|----|----|----|----|----|-----|----|---------------------------------------|---------------|-------|
| 108_010 | 70 | 80 | 90 | 100 | 280 | 30.40 | G3/8 | 55 | 67 | 93 | 58 | 68 | 90 | 29 | KJSE080090070 | 0,50 | 12,80 |
| 108_020 | | | | 200 | 380 | | | | | | | | | | | 1,00 | 16,80 |
| 108_030 | | | | 300 | 480 | | | | | | | | | | | 1,51 | 20,80 |
| 108_040 | | | | 400 | 580 | | | | | | | | | | | 2,01 | 24,80 |
| 108_050 | | | | 500 | 680 | | | | | | | | | | | 2,51 | 28,80 |
| 108_060 | | | | 600 | 780 | | | | | | | | | | | 3,02 | 32,80 |
| 108_070 | | | | 700 | 880 | | | | | | | | | | | 3,52 | 36,80 |
| 109_010 | 90 | 100 | 115 | 100 | 260 | 30.40 | G1/2 | 55 | 77 | 88 | 58 | 63 | 115 | 29 | KJSE100115090 | 0,79 | 23,45 |
| 109_020 | | | | 200 | 360 | | | | | | | | | | | 1,57 | 30,35 |
| 109_030 | | | | 300 | 460 | | | | | | | | | | | 2,36 | 37,25 |
| 109_040 | | | | 400 | 560 | | | | | | | | | | | 3,14 | 44,15 |
| 109_050 | | | | 500 | 660 | | | | | | | | | | | 3,93 | 51,05 |
| 109_060 | | | | 600 | 760 | | | | | | | | | | | 4,71 | 57,95 |
| 109_070 | | | | 700 | 860 | | | | | | | | | | | 5,50 | 64,85 |

Unidades en milímetros.
Units in millimeters.
Einheiten in Millimetern.

Hydraulic seals by
Aston seals

